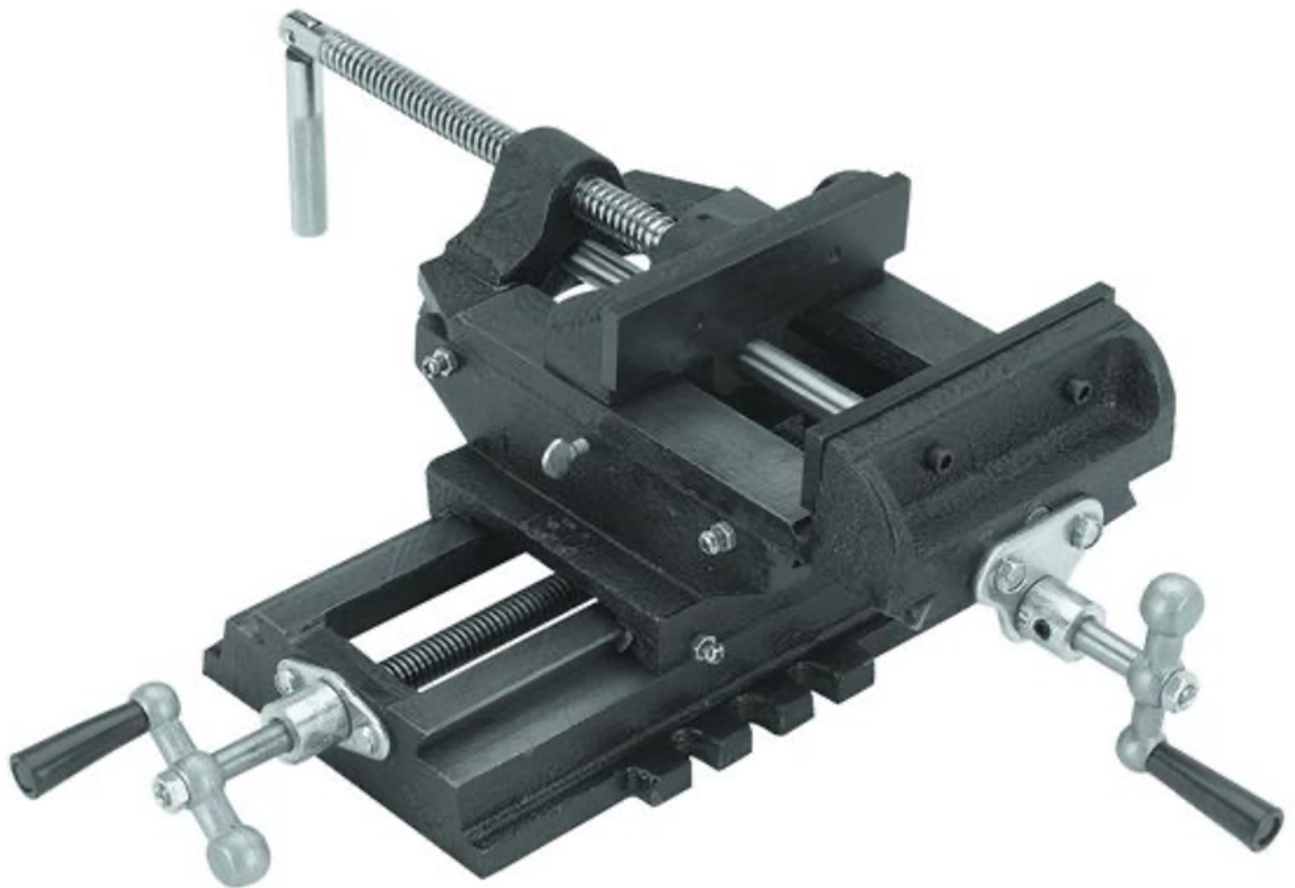


2 Axis Cross Vises



2 Axis Cross Vises

Description

This machine vice is the perfect accessory for drills and milling machines and fits almost all workbenches. Whether in the local hobby cellar, the garage, or in the mobile service car: Wherever there is something to be fixed, you are well advised with this vise. Thanks to the production of cast iron and the hardened jaws, even heavy parts can be securely fixed and then processed. Grips and screws are optimally protected against rust attack by the chrome plating.

SPECIFICATIONS

Model	Width of jaw(mm)	Height of jaw(mm)	Max. opening(mm)	N.W./G.W.(kg)
200	200	53	203	33/35
150	160	53	152	27/28
75	75	35	76	7/8