

Pneumatic Manual Hydraulic H-Frame Press Machine 40TON



Image not found or type unknown



Pneumatic Manual Hydraulic H-Frame Press Machine

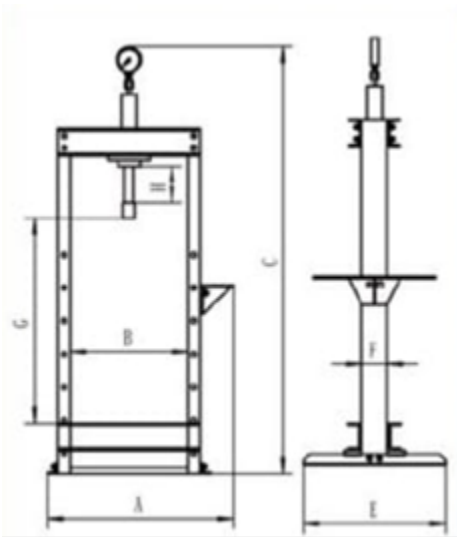
40TON

Description LIGHT duty H-frame pneumatic and manual hydraulic press is an excellent choice for small workshops and is ideal for straightening, bending, and removing/installing gears, bearings, and bushings.

Features:

1. Easy to use.
2. Pressure gauge installed.
3. Lever installed.
4. Operating fast by using the pneumatic system.

SPECIFICATIONS



model	40TON
Material	U-steel
Painting	High-quality paint
Color	Blue
Max working press	400KN(40T)
Max working height G	1050mm
Max working width B	595mm
Stroke H	200mm
Oil cylinder pressure	61.7Mpa
Total height of the press C	1820mm
Total width of the press A	935mm
Net Weight	220Kg
Gross Weight	250Kg

